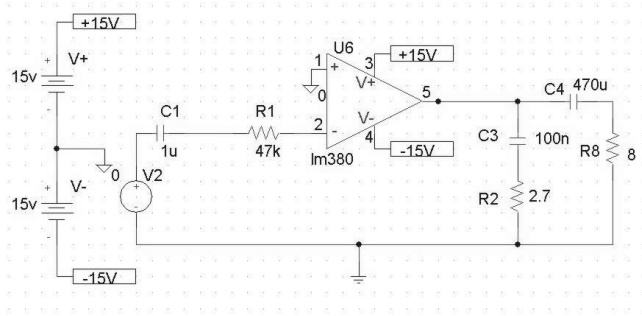
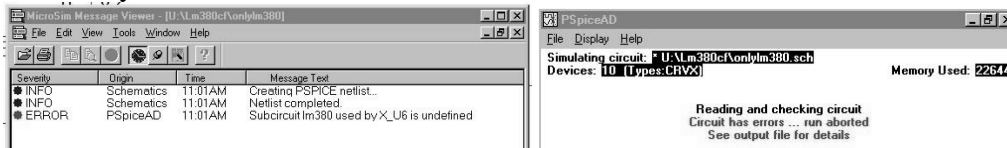


Example of schematic of LM380:



No library, ERROR occurs.



Import library of LM380:

Select Analysis/Library and Include Files.

Click Browse icon and select the lm380.lib file.

Click Add library icon to add lm380.lib.

